

# EDEN



Designed and manufactured in Australia, The Eden sofa offers quality without compromise in fixed or modular sizes.

With enduring contemporary lines and plush level of comfort the Eden sofa can be customised through selection of fabrics and leathers from Australia's leading suppliers.

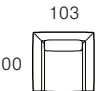
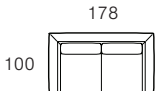
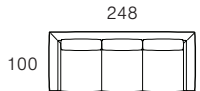
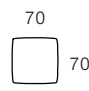
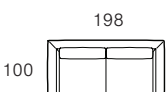
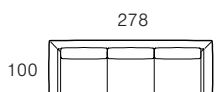
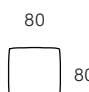
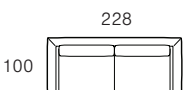
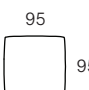
## MATERIALS

Kiln dried hardwood frame. Timber seat base. 100% feather scatters. Fixed top ottoman. Stainless steel legs. Luxury wrap seat cushion. Feather / fibre back cushion.

The Eden sofa range is available in a range of custom sizes and configurations.

Modular components are available in left (L) or right (R) facing configurations and (C) indicates corner unit.

Armchairs, Sofas and Ottomans

Lounge Chair	2 Seater	3 Seater	Ottoman
 <p>103 100 ED-103</p>	 <p>178 100 ED-178</p>	 <p>248 100 ED-248</p>	 <p>70 70 ED-70-O</p>
	 <p>198 100 ED-198</p>	 <p>278 100 ED-278</p>	 <p>80 80 ED-80-O</p>
	 <p>228 100 ED-228</p>		 <p>95 95 ED-95-O</p>

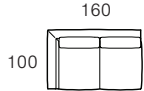
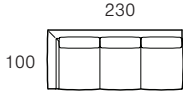
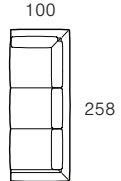
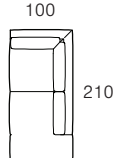
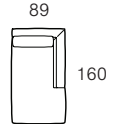


Modular Components

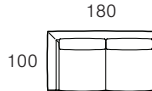
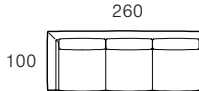
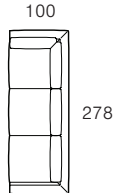
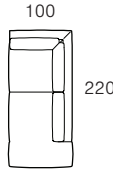
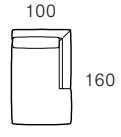
When selecting modular components, we advise selecting units from the same seat cushion size series.

Add 'L' or 'R' to the end of product codes to specify their configuration.

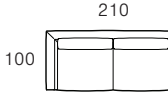
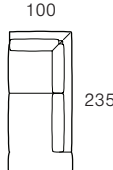
E.g. ED-210-L or ED-210-R

Sofa Left Arm	Sofa Left Arm	Corner Sofa Right Arm	Chaise Sofa Right	Chaise Right
 <p>160 100 ED-160-L</p>	 <p>230 100 ED-230-L</p>	 <p>100 258 ED-258-CSR</p>	 <p>100 210 ED-210-CHSR</p>	 <p>89 160 ED-89-CHR</p>

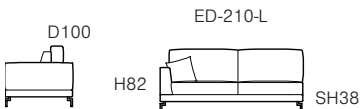
Seat Cushion Size - 700mm

 <p>180 100 ED-180-L</p>	 <p>260 100 ED-260-L</p>	 <p>100 278 ED-278-CSR</p>	 <p>100 220 ED-220-CHSR</p>	 <p>100 160 ED-100-CHR</p>
---	---	---	--	---

Seat Cushion Size - 800mm

 <p>210 100 ED-210-L</p>	 <p>100 235 ED-235-CHSR</p>	 <p>115 160 ED-115-CHR</p>
---	--	---

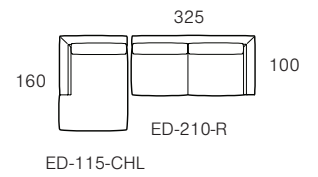
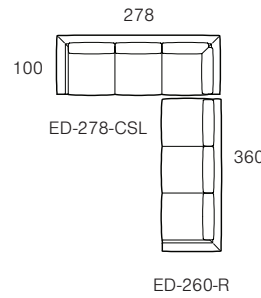
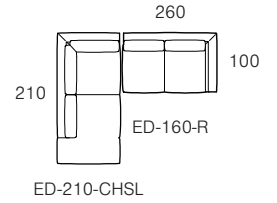
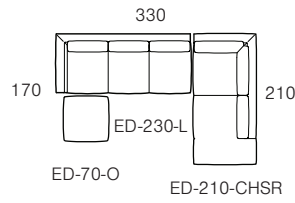
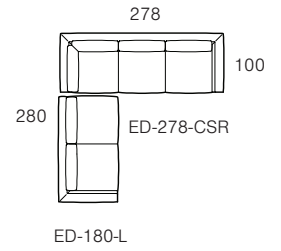
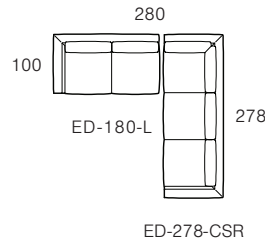
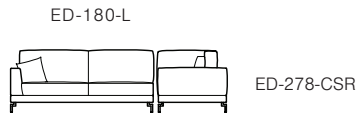
Seat Cushion Size - 950mm



The Eden sofa range is available in a range of custom sizes and configurations.

Modular components are available in left (L) or right (R) facing configurations and (C) indicates corner unit.

Modular Examples



Notes